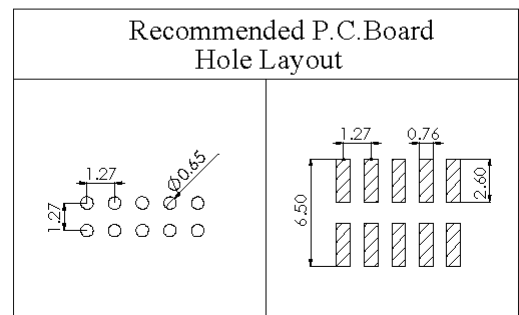
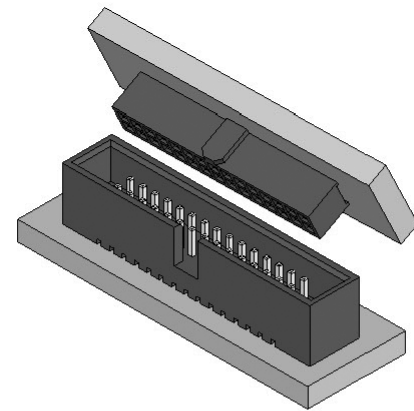
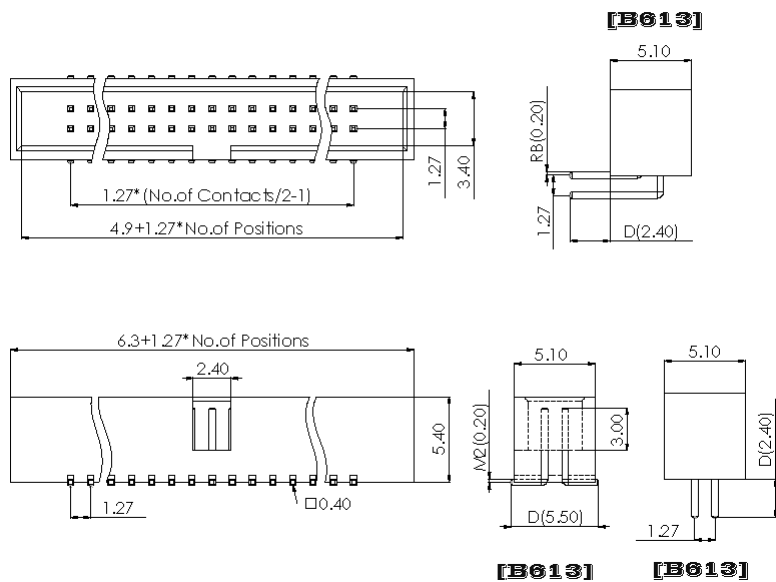
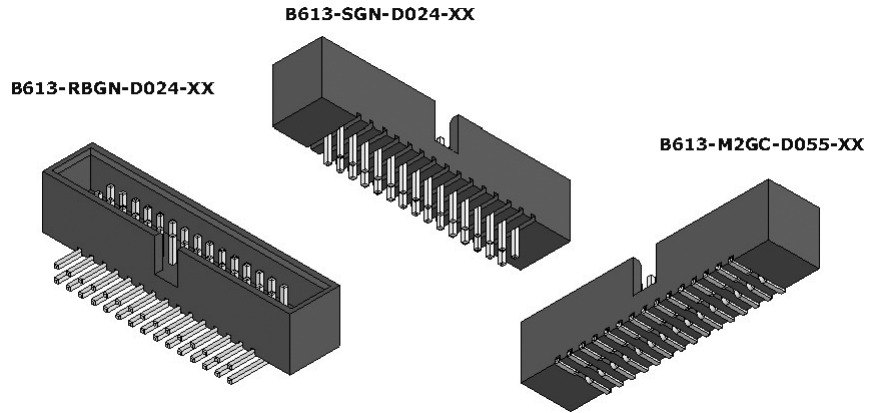


## Box Header 1.27 mm 90° & 180° & SMT Series

### SPECIFICATIONS

Current Rating: 1 A  
 Insulator Resistance: 1000 MOhm min.  
 Dielectric Withstanding: AC 500 V  
 Operating Temperature: -40°C ~ +105°C  
 Soldering Temperature: 260°C for 3~5 sec. max  
 Contact Material: Copper Alloy  
 Insulator Material: Polyester, UL 94V-0  
 Standard: Nylon-6T  
 Finish: Tin, Gold or Duplex Plated  
 Standard: Gold Flash all over  
 Note: Duplex Plating: Gold Plated on contact area, Tin on solder area



### How to order

Unit: mm

Series	Connector Type	Contact Plating	Material	Pin Length mm	Number of Contacts
<b>BXXX</b>	<b>X</b>	<b>X</b>	<b>X</b>	<b>DXXX</b>	<b>XX</b>
B613: B/H 1.27 H: 5.40 Dual Row	S: Straight Type R: Right Angle RB: 0.20 : M: SMT Type M2: 0.20 :	G: Gold Flash T: Tin Plated A: 10U" Gold B: 15U" Gold C: 20U" Gold ⊙ Duplex Plating D: Gold Flash/Tin (Standard: G)	N: Nylon-6T C: LCP	S-D D024 R-D D024 M-D D055	(10 TO 100 Contacts)